

G&W 5500 STAINLESS STEEL WINCH

We manufacture these in our factory in Brisbane, we will happily modify these winches to suit your individual needs. This is a serious robust winch which has been designed for a variety of hauling applications, ideally suited as a slipway, boat ramp, and water pump winch.

Driven by a self-braking worm gear transmission providing a quiet, safe, maintenance free operation coupled to a purpose built powerful 240V electric brake motor. The frame, guards, bars, bolts and bearing support are machined in quality stainless steel for strength and endurance.

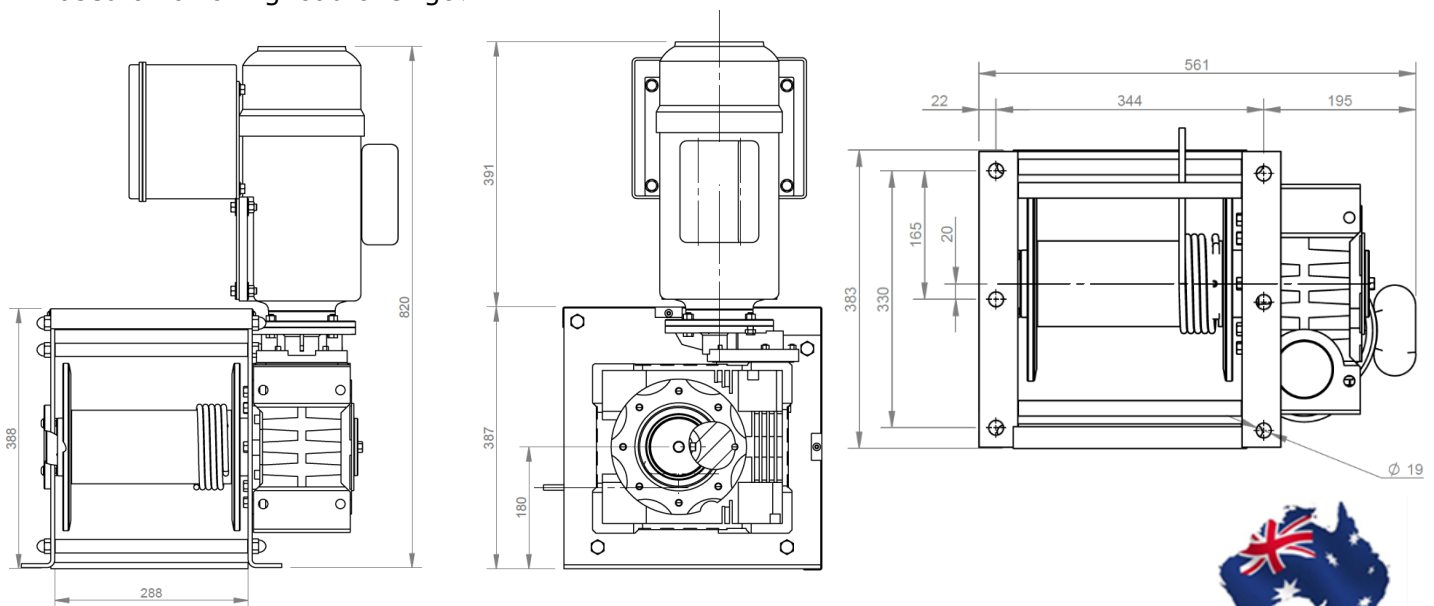
FEATURES:

- Stainless steel construction
- Self-braking Worm gear reduction sealed for life
- End support bearing sealed for life
- Virtually maintenance free
- 1.7kw single phase 240V electric brake motor
- Wired with low voltage controls & 3 pin plugs
- 10 mtr control wire length with emergency stop
- Supplied with 30m of Ø10mm Aircraft Cable
- Capability: Haul boat and wheeled trailer of 5500kg up 12.5 -degree ramp
- Average line speed: 5 m/min
- Weight: 110kgs
- Based on a rolling load over good quality surface



OPTIONS:

- Wireless Remote Control
- Rope Tensioner
- Synthetic Rope
- Three Phase 415 Volt Electric Brake Motor
- Need more rope? No Problem.



**ORIGINAL THOMAS WINCH MANUFACTURER ESTABLISHED 1968
PROUDLY AUSTRALIAN AND FAMILY OWNED**

Email: admin@winch.com.au **Website:** www.winch.com.au

Phone: 07 3875 1568

Address: 2 Coin Street Moorooka Qld 4105 **Postal:** PO Box 206 Acacia Ridge Qld 4110

This may save a life or at the very least you might find this interesting!

We have been manufacturing and servicing Boat Ramp Winches since 1968, they are incredibly durable, safe and fantastic value for money. Your Boat Ramp Winch is fitted with a multi disc brake system which is second to none.

Whichever Winch model you make yours they all incorporate a safety low voltage 24 Volt Pendant Control system with 10 metres of pendant control wire complete with an emergency stop button.

What does all this mean to you and your family?

It means you can have absolute confidence and peace of mind when using your winch, if for any reason the power is shorted out or the supply interrupted, or if you have to leave your winching operation for any reason the brakes are applied immediately. You can be assured the multi disc brake safety system will absolutely stop and hold your load.

We have hundreds of these beaut, tough little units in service in some of the most severe circumstances, for example where they are close to water such as pontoons etc. This is where the low voltage controller comes into its own, let's say the controller gets broken and the internal wires are exposed or it is submerged in water, a tingle is all you will receive.

The controller being low voltage 24 Volt power – not 240 or 415 Volt - cannot "hurt" you. Your Boat Ramp Winch is one of the very few to offer this safety system on 240V as well as 415V winches.

For that little added safety and security, the pendant on your new Winch has a quick disconnect system so when your winch is not in use, no one else can tamper with it.

Wireless Remote Control System

Please check out this brilliant option. Your Boat Ramp Winch is so easy to use with this simple option. The best news of all is, as far as we know your Winch is one of the only winches that offer a completely wireless system whilst retaining your pendant control at the same time. This is fantastic news, if a flat battery may occur in your wireless system, you will still have backup. If a 24V pendant controller is broken, you will still have the wireless opportunity.

Email: admin@winch.com.au **Website:** www.winch.com.au

Phone: 07 3875 1568

Address: 2 Coin Street Moorooka Qld 4105 **Postal:** PO Box 206 Acacia Ridge Qld 4110

MAXIMUM BOAT MASS*

OUR BOAT RAMP WINCH MODELS	LIFTING CAPACITY	HAULING CAPACITY SLOPE RAMP GRADIENT				
		ROPE LENGTH	5° BOAT RAMP 1m FALL OVER 12m DISTANCE (KG)	12.5° STANDARD BOAT RAMP 1m FALL OVER 4.5m DISTANCE (KG)	15° BOAT RAMP 1m FALL OVER 3.75m DISTANCE (KG)	27° BOAT RAMP 1m FALL OVER 2m DISTANCE (KG)
TIGER SERIES	SIZE (KG)					
PLANETARY GEAR DRIVE						
JV-1025-13D03		6mm x 30m				
JC-1025-16D05	250	6mm x 50m	2,750	1,100	950	500
JC-1025-17D12		6mm x 120m				
JV-1030-13D03		6mm x 30m				
JC-1030-16D05	300	6mm x 50m	3,250	1,300	1,100	650
JC-1050-16F03		8mm x 30m				
JC-1050-21F05	500	8mm x 50m	5,000	2,100	1,800	1,100
RC-1050-21F10		8mm x 100m				
PU-1070-09G07	700	9mm x 70m	7,000	3,000	2,500	1,500
PU-1100-05H06	1000	10mm x 60m	10,000	4,200	3,600	2,200
PU-1120-10I05	1200	12mm x 50m	12,000	5,000	4,300	2,650
PU-1200-07J07	2000	14mm x 70m	20,000	8,400	7,200	4,400
BLUE SERIES						
SPUR GEAR DESIGN						
AM1026B SS	N/A	8mm x 30m	8,000	3,600	3,000	1,800
AM2026B	N/A	10mm x 30m	15,000	7,000	5,750	3,600
G&W SERIES						
STAINLESS STEEL						
G&W 2500	N/A	8mm x 30m	6,250	2,500	2,300	1,350
G&W 3500	N/A	8mm x 30m	7,800	3,500	2,900	1,700
G&W 4500	N/A	9mm x 30m	11,000	4,500	3,900	2,500
G&W 5500	N/A	10mm x 30m	13,000	5,500	4,750	2,850

SOME OF THESE OPTIONS AVAILABLE INCLUDE:

DYNEEMA ROPE, STANDS, COVERS AND RADIO REMOTE AVAILABLE ON ALL MODELS

BIGGER MODELS AVAILABLE ON REQUEST

Email: admin@winch.com.au **Website:** www.winch.com.au

Phone: 07 3875 1568

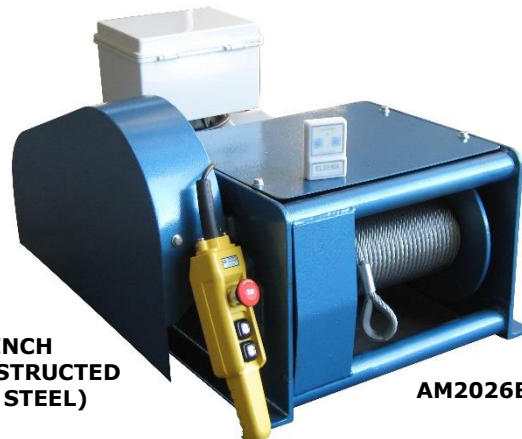
Address: 2 Coin Street Moorooka Qld 4105 **Postal:** PO Box 206 Acacia Ridge Qld 4110

BLUE SERIES

This heavy-duty model boasts all solid steel construction with precision hob cut gears. These features all contribute to a product range that is incredibly reliable, efficient, strong and durable. All models can be fitted with remote controls. Suitable for hauling up to 7000kg.



AM1026B SS WINCH
(THIS MODEL IS CONSTRUCTED
IN 316 STAINLESS STEEL)



AM2026B WINCH



TIGER SERIES

Our unique tough range of Tiger winches are of the planetary design, rugged in construction and engineered to exacting standards. The tiger is light weight yet strong. All models fitted with fail safe brakes and low voltage pendant control with 10 meters of cable. Models to suit tinnies and up.

G&W SERIES

We manufacture these in our factory in Brisbane, we will happily modify these winches to suit your individual needs. They are manufactured with stainless side mounts, bearing carriers, cover and cross bars. There's a full cover option for outdoor use.

Driven by a self-braking worm gear transmission providing a quiet, safe, maintenance free operation coupled to a purpose built powerful 240V or 415V electric brake motor.

**SOME OF THESE OPTIONS AVAILABLE INCLUDE:
DYNEEMA ROPE, STANDS, COVERS AND RADIO REMOTE
AVAILABLE ON ALL MODELS**

BIGGER MODELS AVAILABLE ON REQUEST



G&W 3500 WINCH
(THIS MODEL IS CONSTRUCTED
IN 316 STAINLESS STEEL)

Email: admin@winch.com.au **Website:** www.winch.com.au

Phone: 07 3875 1568

Address: 2 Coin Street Moorooka Qld 4105 **Postal:** PO Box 206 Acacia Ridge Qld 4110