

GEARS AND WINCHES

EW8 – 12 OR 24 VOLT ELECTRIC WINCH

Here in Brisbane, we manufacture these compact, versatile and heavy-duty winches.

Specifications:

Capacity: 40.0 kN (8,000LB)

Weight: 40kg (without rope)

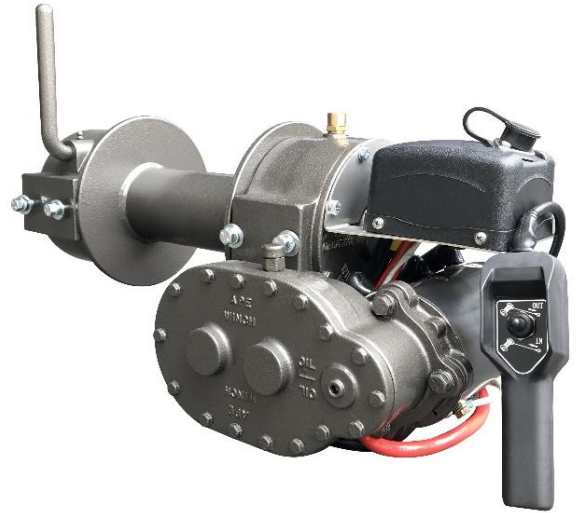
Standard Ratio: 470:1

Other Ratios Available: 50.1

Rec. Wire Rope: 30m x Ø8mm

Max. Wire Rope: 69m x Ø8mm (214mm Drum)

Brake Type: Automatic locking worm gear



Above image is our EW8 (8,000LB Electric Winch)

Applications:

- Tilt trays, slide backs, and recovery
- Mine sites, logging, tractors, and telecommunications
- Complies with EN14492-1 and suitable for use on Tow Trucks
- 12 or 24 Volt Electric Drive
- Lever operated dog clutch and can be assembled right hand (R) or left hand (L)
- 102mm drum diameter complying with J706 to extend rope life
- Complete with reversing solenoid control pack with plug in hand control
- Winch only option or complete bolt down packages available, including the mounting frame, roller fairlead, rope tensioner, various lengths of wire and synthetic rope available, connector and hook to suit
- Optional wireless remote control
- Custom designs available to suit your requirements

Performance

Voltage	12 Volt		24 Volt	
Bare Drum (Layer 1)				
Line Pull	No Load	40.0 kN	No Load	40.0 kN
Line Speed	3.9 m/min	1.2 m/min	4.1 m/min	1.4 m/min
Current	50 Amps	250 Amps	30 Amps	120 Amps
Full Drum (Layer 6)				
Line Pull	No Load	23.8 kN	No Load	23.8 kN
Line Speed	5.8 m/min	1.8 m/min	6.1 m/min	2.1 m/min
Current	50 Amps	250 Amps	30 Amps	120 Amps

**Original Thomas Winch Manufacturer Established 1968,
Proudly Australian and Family Owned**

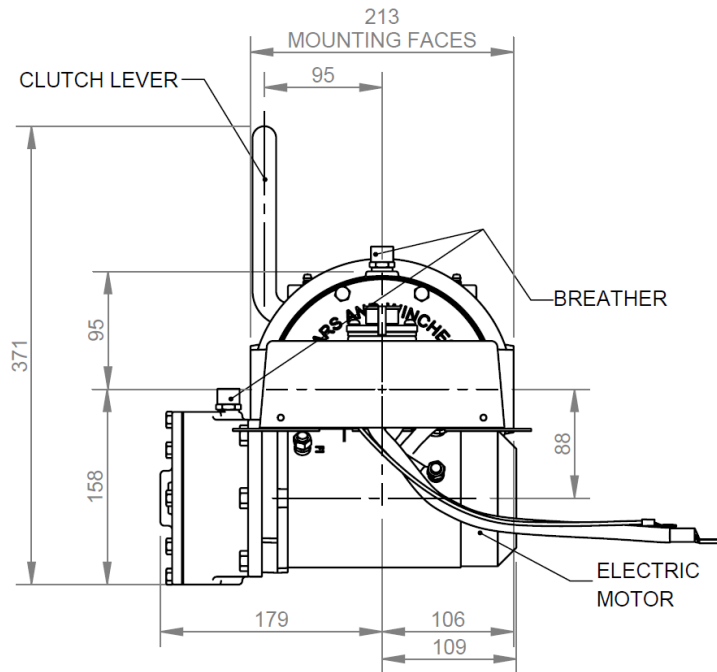


Phone: 07 3875 1568

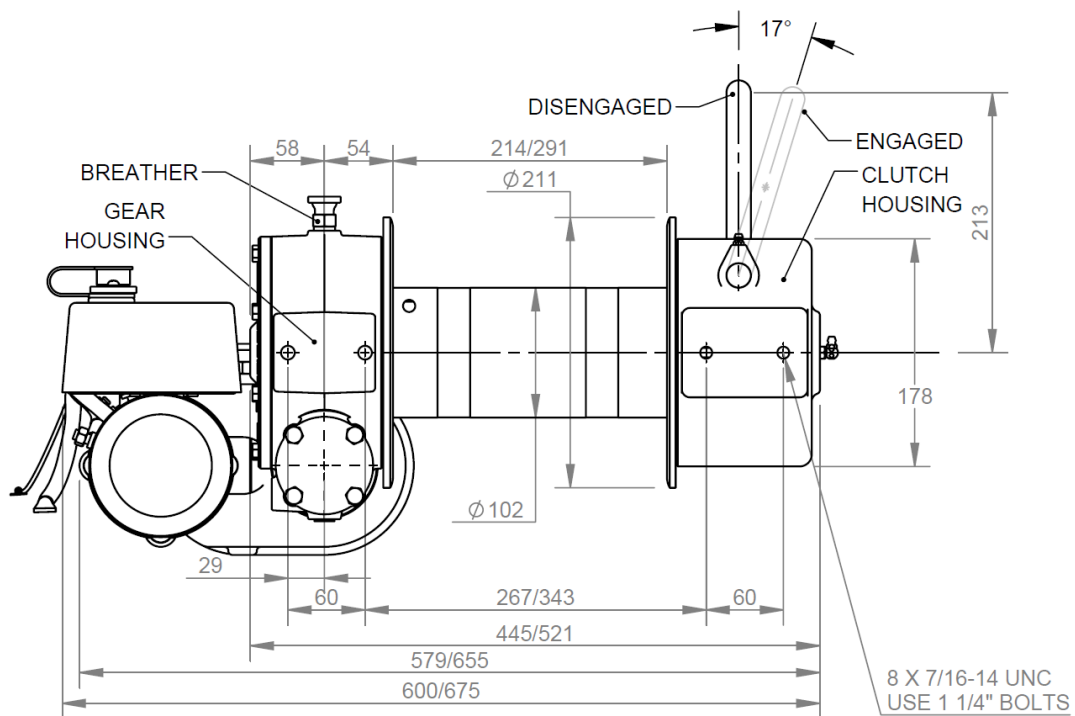
Email: admin@winch.com.au **Website:** www.winch.com.au

Address: 2 Coin Street Moorooka Qld 4105 **Postal:** PO Box 206 Acacia Ridge Qld 4110

EW8 Dimensions



Available Drum Lengths 214mm or 291mm



Disclaimer: Product Dimensions are subject to change without prior notice, due to technological progress.

Phone: 07 3875 1568

Email: admin@winch.com.au **Website:** www.winch.com.au

Address: 2 Coin Street Moorooka Qld 4105 **Postal:** PO Box 206 Acacia Ridge Qld 4110