

# GEARS AND WINCHES

## W30-R HYDRAULIC WINCH

Here in Brisbane, we manufacture these compact, versatile and heavy-duty winches.

### Specifications:

**Capacity:** 135.0 kN (30,000LB)

**Weight:** 180kg (without rope)

**Standard Ratio:** 38:1

**Rec. Wire Rope:** 30m x Ø18mm

**Max. Wire Rope:** 85m x Ø18mm

**Brake Type:** Automatic locking worm gear

**Hydraulic Oil Requirements:** 90 Litre/min @ 190 bar

**Oil Tank Capacity:** 3.5L

**Duty Cycle Per SAE J706 Section 6.2:** 42m Intermittent



*Above image is our W30-R (30,000LB Hydraulic Winch)*

### Applications:

- Tilt trays, slide backs, and recovery
- Mine sites, logging, tractors, and telecommunications
- Complies with EN14492-1 and suitable for use on Tow Trucks
- Hydraulic or Mechanical Drive
- Can be assembled right hand (R) or left hand (L)
- Lever operated Fail-Safe positive engagement free-spool, Manual or Air Clutch option
- 168mm drum diameter complying with J706 to extend rope life
- Drag brake to prevent wire rope ballooning when freewheeling
- Winch only option or complete bolt down packages available, including the mounting frame, roller fairlead, rope tensioner, various lengths of wire and synthetic rope available, connector and hook to suit
- Custom designs available to suit your requirements

Layer	Line Pull kN	Line Speed 250CC Motor @ 190 Bar MPM	Line Speed 316CC Motor @ 160 Bar MPM	Total Rope Length m
1	135.0	4.8	4.0	12.3
2	111.8	5.6	4.8	27.1
3	96.2	6.4	5.6	44.2
4	84.4	7.2	6.4	63.7
5	75.2	8.0	7.2	85.6

**Original Thomas Winch Manufacturer Established 1968,  
Proudly Australian and Family Owned**



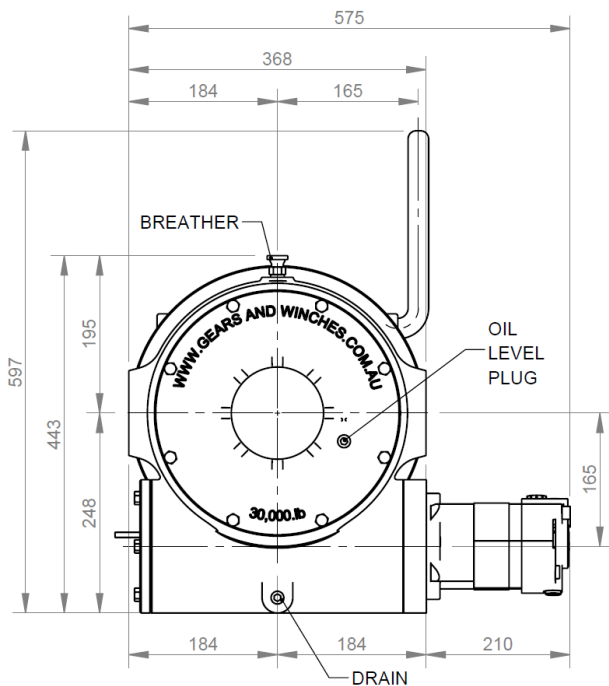
**Phone:** 07 3875 1568

**Email:** admin@winch.com.au **Website:** www.winch.com.au

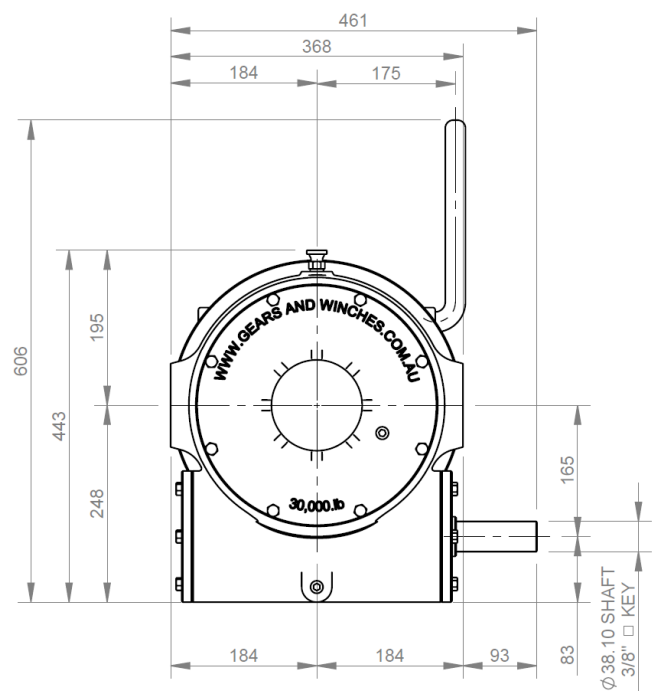
**Address:** 2 Coin Street Moorooka Qld 4105 **Postal:** PO Box 206 Acacia Ridge Qld 4110

## W30-R DIMENSIONS

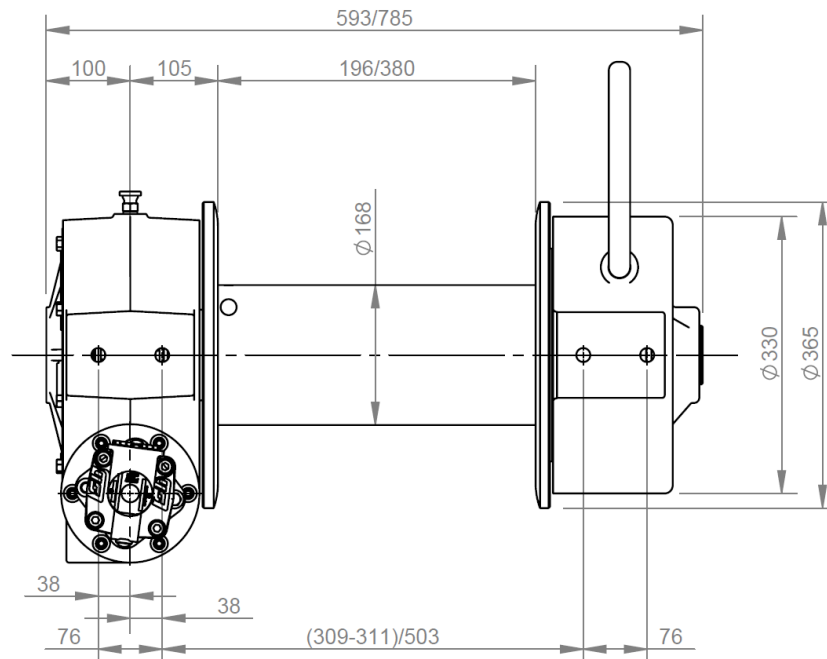
### Hydraulic



### Mechanical



### Available Drum Lengths 196mm or 380mm



**Disclaimer: Product Dimensions are subject to change without prior notice, due to technological progress.**

**Phone:** 07 3875 1568

**Email:** admin@winch.com.au **Website:** www.winch.com.au

**Address:** 2 Coin Street Moorooka Qld 4105 **Postal:** PO Box 206 Acacia Ridge Qld 4110